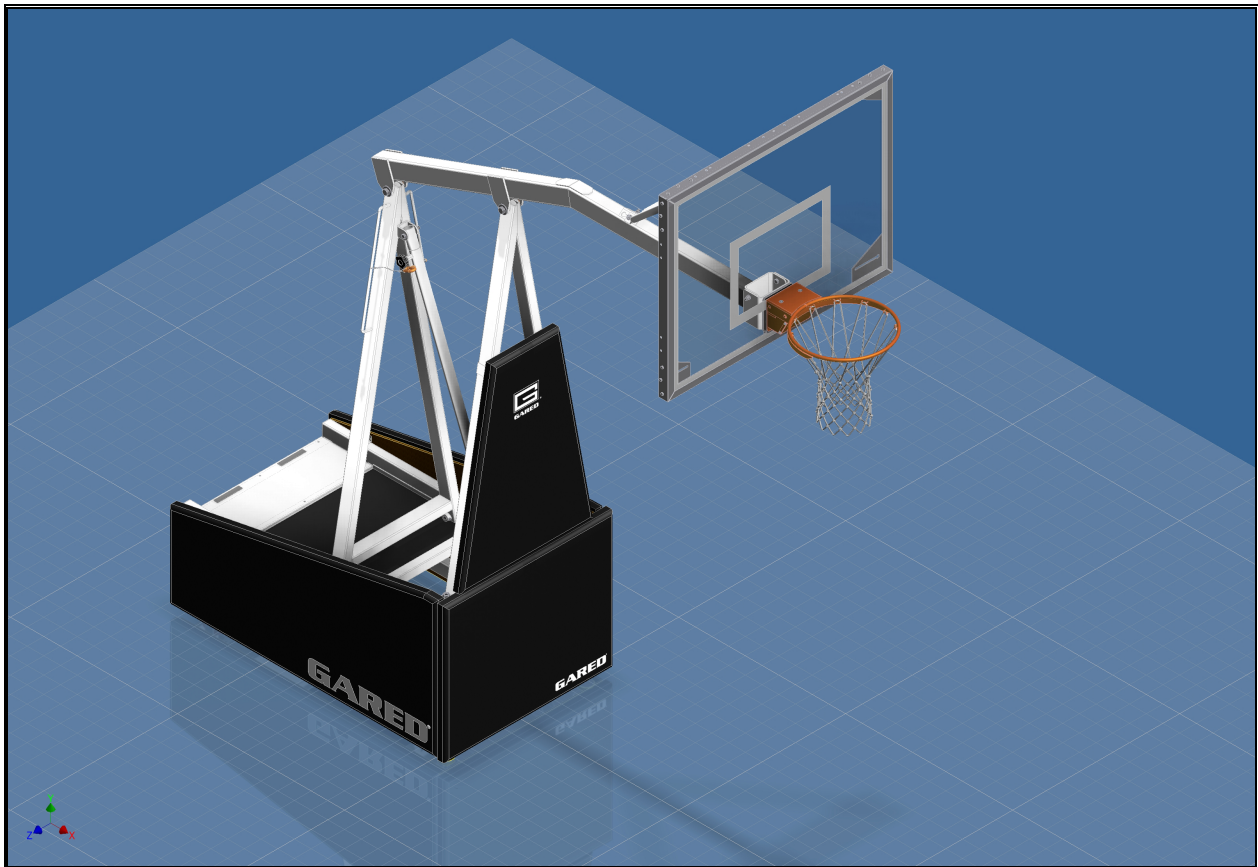




Hoopmaster R54/C72 Portable Backstop

Models: 9154 & 9172



Installation, Operation and Maintenance Instructions

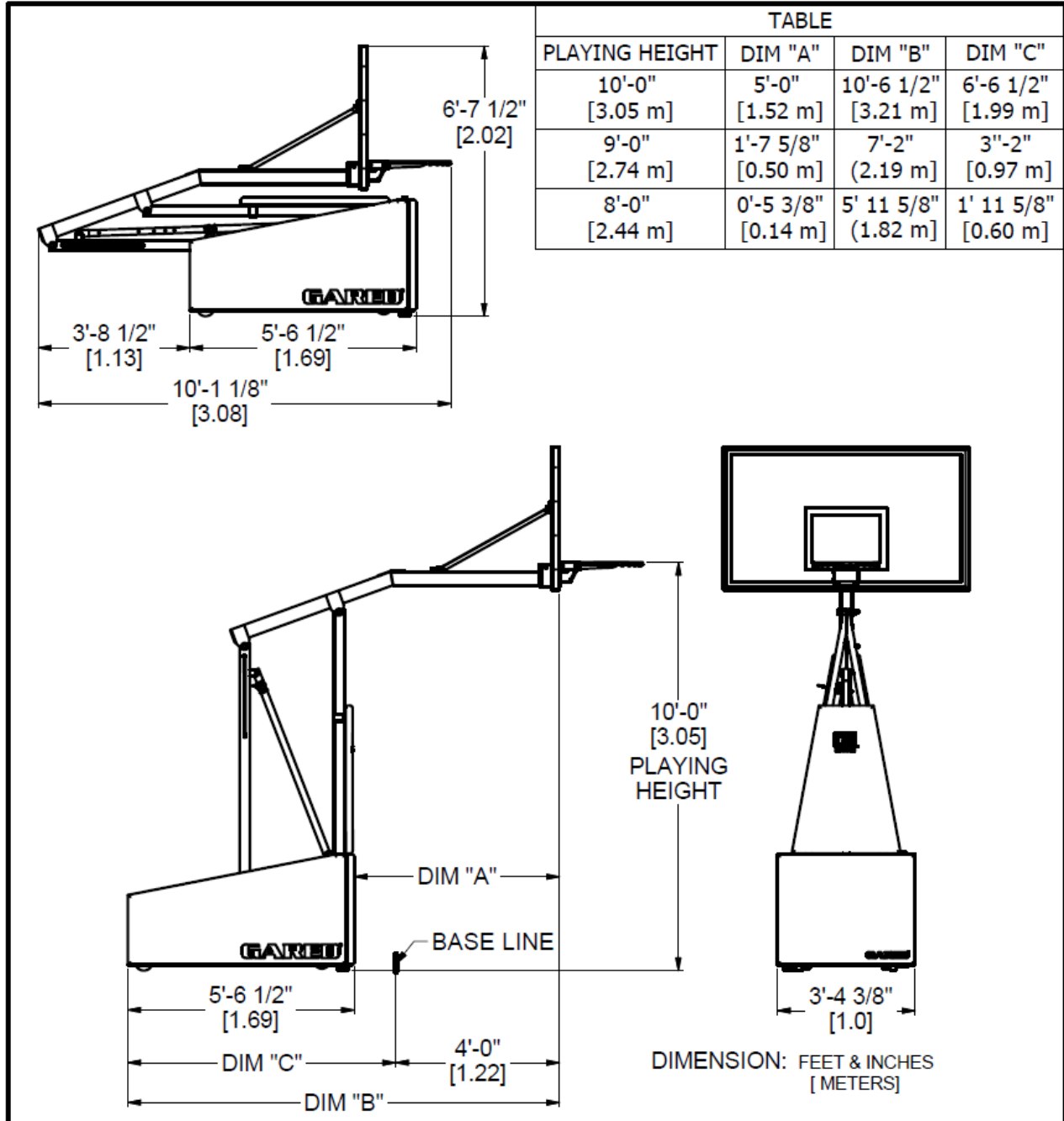
.....
Please read all instructions before attempting installation or operation of these units
.....

SAVE THESE INSTRUCTIONS FOR FUTURE USE

PUBLICATION No.
5 5 1 7 5 1 1 1 4

Revised
Mar. 10, 2011

BASIC DIMENSIONS



Model	Weight	Board Size
Hoopmaster R54	1525 lbs [692 kg]	42" x 54" [1067 mm x 1372 mm]
Hoopmaster C72	1555 lbs [705 kg]	42" x 72" [1067 mm x 1829 mm]



Hoopmaster R54/C72 Portable Backstop



Table of Contents

<u>Section</u>	<u>Page No.</u>
Introduction	2
Cautions and Warnings	3
Parts Checklist	6
Assembly and Setup	9
Unit Operation	16
Maintenance	17



Hoopmaster R54/C72 Portable Backstop



Introduction

Thank you for your purchase of a Gared Sports model Hoopmaster R54 or C72 Portable backstop. To ensure that our equipment will provide years of use to you, we are including this installation, operation, and maintenance guide. This guide will provide information on the proper assembly and installation methods, operating procedures, and preventative maintenance of your portable backstop.

Please note that a Bill of Materials is being included with this guide. Please check that all of the parts called out on the Bill of Materials are present prior to beginning assembly and setup. Please do not substitute for factory parts. Please contact the Gared Sports customer service department and allow them to determine if substitute parts are acceptable.

It is recommended that an individual who has been properly trained perform assembly and set up of the backstop. No one under the age of 18 should attempt assembly or set up of the unit, unless properly supervised.

To prevent normal wear and tear from shortening the life of the unit, preventative maintenance inspections and repairs should be performed at least once per year. If the units are subject to high or unusual usage, inspections should be scheduled to occur more frequently. If items are found to be nonconforming, replacements can be ordered from Gared Sports or one of our authorized dealers. When contacting Gared Sports, please have information regarding the dealer/installer who sold the unit, the name of the project, and any applicable warranty information.

Safety Instructions

Read and understand the following warnings to prevent possible personal injury and potential damage to the equipment during assembly, setup, and operation.

⚠ DANGER

DO NOT CLIMB ON GOAL, BANKBOARD OR BACKSTOP.

THIS UNIT IS DESIGNED FOR A SPECIFIC OPERATING WEIGHT AND THE ADDED WEIGHT COULD CAUSE DAMAGE AND/OR SERIOUS INJURY TO PERSONNEL.

2036-31-00

⚠ WARNING

DO NOT REMOVE SHIPPING BRACE BEFORE INSTALLING BACKBOARD AND GOAL. REMOVING BRACE WITHOUT BACKBOARD INSTALLED COULD RESULT IN SERIOUS PERSONAL INJURY AND/OR DAMAGE TO UNIT.

126453732

⚠ WARNING

DO NOT REMOVE BACKBOARD BEFORE INSTALLING SHIPPING BRACE ON MAIN BOOM. REMOVING BACKBOARD WITHOUT BRACE INSTALLED COULD RESULT IN SERIOUS PERSONAL INJURY AND/OR DAMAGE TO UNIT.

126453731

⚠ WARNING

SPRINGS ARE PRESET AT FACTORY. ADDITIONAL ADJUSTMENTS MUST BE DONE BY AUTHORIZED FACTORY PERSONNEL.

126453734

⚠ WARNING

SAFETY PIN MUST BE INSTALLED DURING USE, AND REMOVED PRIOR TO LOWERING UNIT.

126453736

⚠ CAUTION

MOVING PARTS! KEEP HANDS, ARMS, BODY CLEAR DURING OPERATION

124252799

⚠ CAUTION

KEEP PERSONNEL AWAY FROM FRONT AND REAR OF UNIT WHILE RAISING OR LOWERING THE BACKBOARD

126453737

⚠ CAUTION

DO NOT STAND OR SIT ON UNIT DURING OPERATION

126453735

⚠ CAUTION

ALWAYS LOWER BACKBOARD TO FULL DOWN POSITION BEFORE ATTEMPTING TO MOVE THE UNIT.

126453740

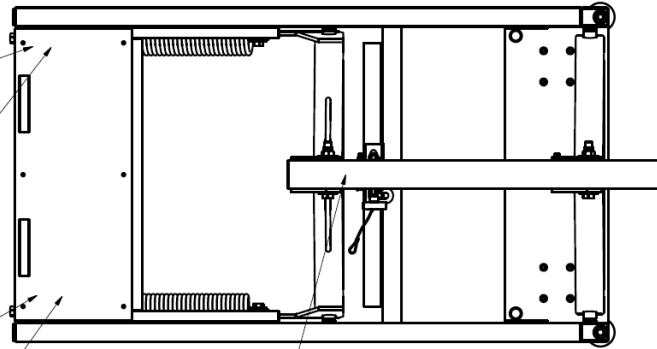
Before proceeding with assembly, **read all instructions and assembly procedures**. Make sure all parts have been received and are not damaged.

CAUTION
KEEP PERSONNEL AWAY FROM FRONT AND REAR OF UNIT WHILE RAISING OR LOWERING THE BACKBOARD
1256453737

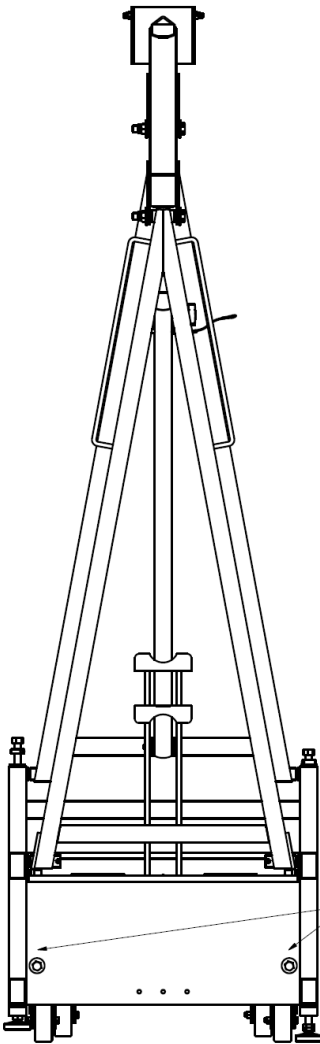
DANGER
DO NOT CLIMB ON GOAL, BACKBOARD OR BACKSTOP
THIS UNIT IS DESIGNED FOR A SPECIFIC OPERATING WEIGHT AND THE ADDED WEIGHT COULD CAUSE DAMAGE AND/OR SERIOUS INJURY TO PERSONNEL.
2038-31-00

CAUTION
ALWAYS LOWER BACKBOARD TO FULL DOWN POSITION BEFORE ATTEMPTING TO MOVE THE UNIT.
1256453740

CAUTION
DO NOT STAND OR SIT ON UNIT DURING OPERATION
1256453735



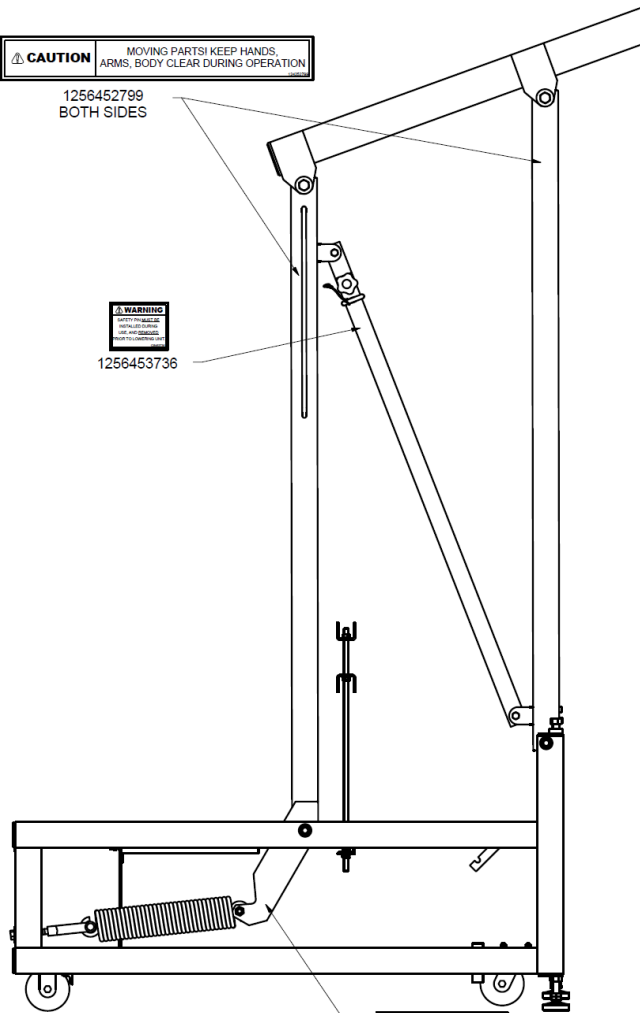
CAUTION
DO NOT STAND OR SIT ON UNIT DURING OPERATION
1256453735



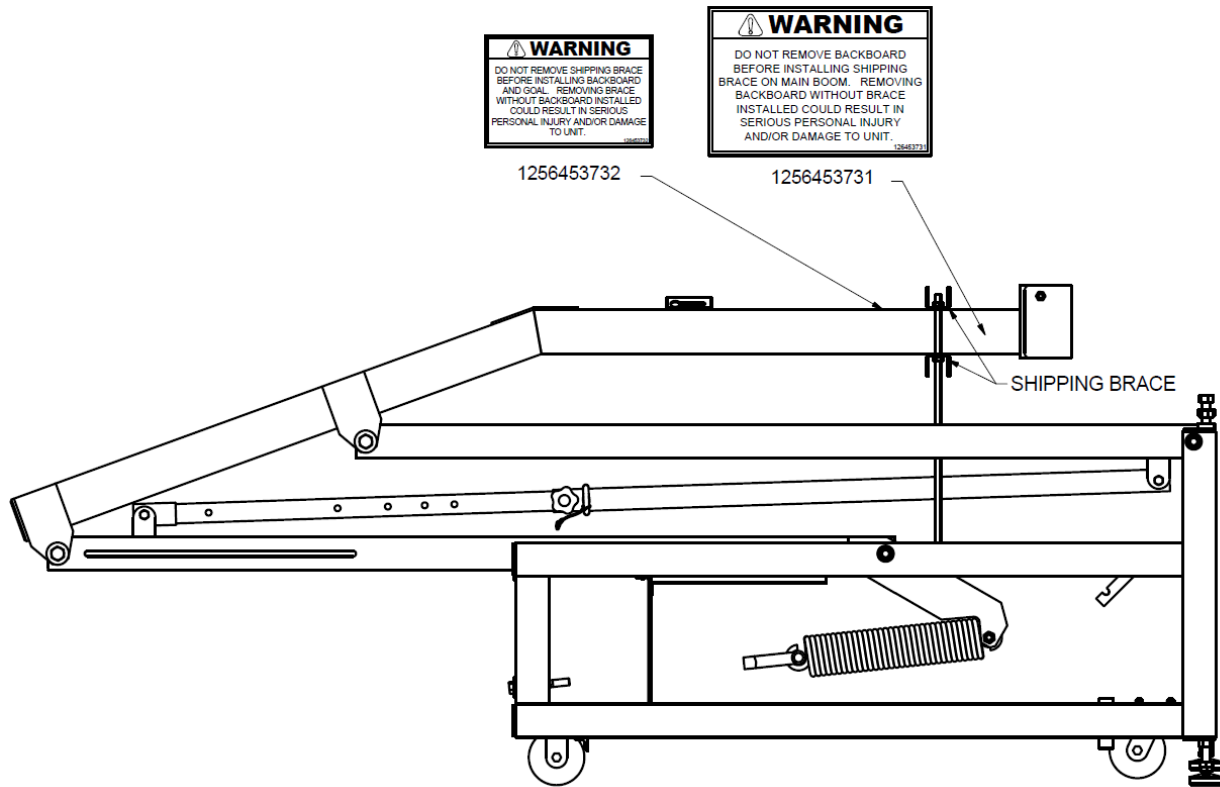
WARNING
SPRINGS ARE PRESENT AT FACTORY. ADDITIONAL ADJUSTMENT MUST BE DONE BY AUTHORIZED FACTORY PERSONNEL.
1256453734

CAUTION MOVING PARTS! KEEP HANDS, ARMS, BODY CLEAR DURING OPERATION
1256452799 BOTH SIDES

WARNING
SPRINGS ARE PRESENT AT FACTORY. ADDITIONAL ADJUSTMENT MUST BE DONE BY AUTHORIZED FACTORY PERSONNEL.
1256453736



WARNING
SPRINGS ARE PRESENT AT FACTORY. ADDITIONAL ADJUSTMENT MUST BE DONE BY AUTHORIZED FACTORY PERSONNEL.
1256453734 BOTH SIDES





Hoopmaster R54/C72 Portable Backstop



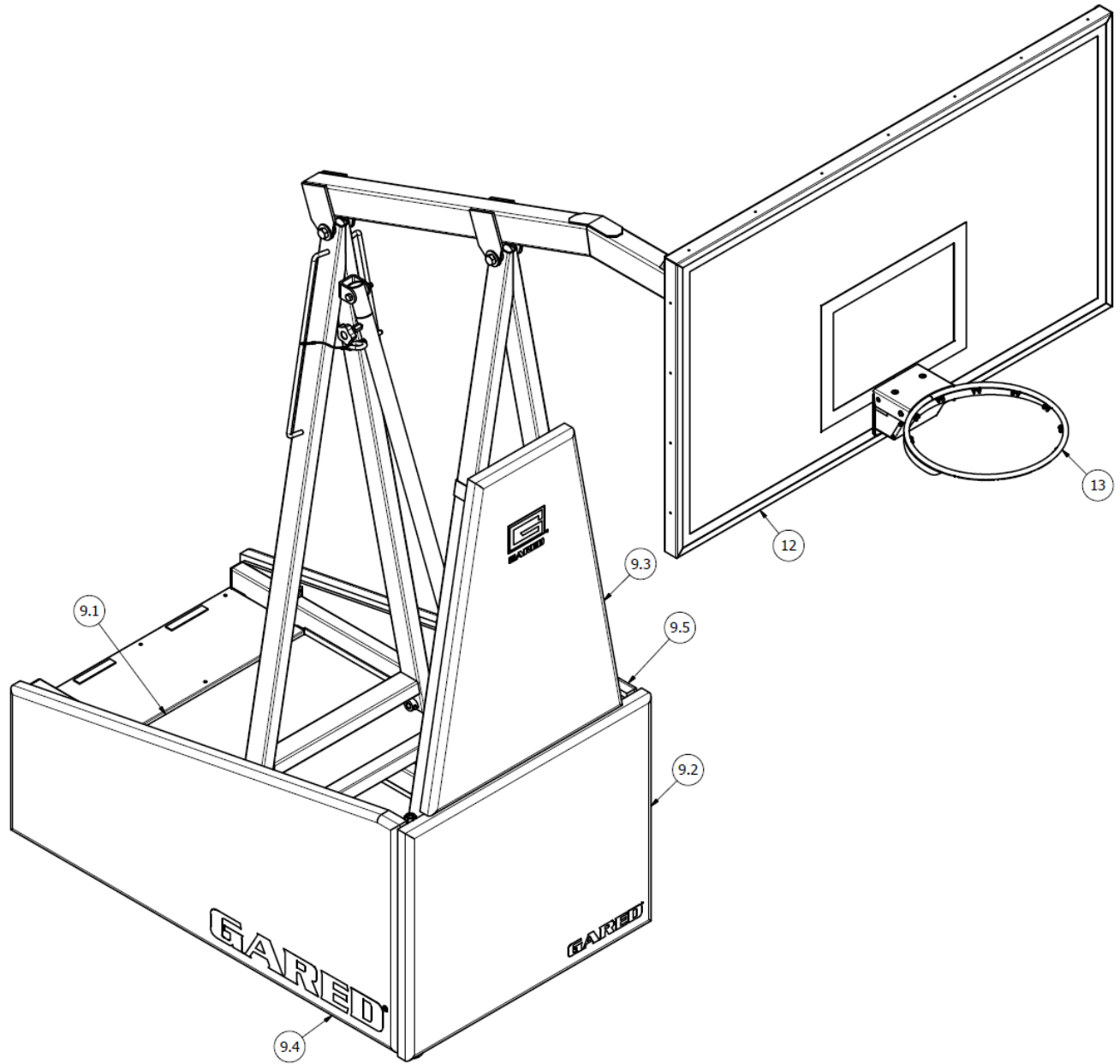
Parts Checklist

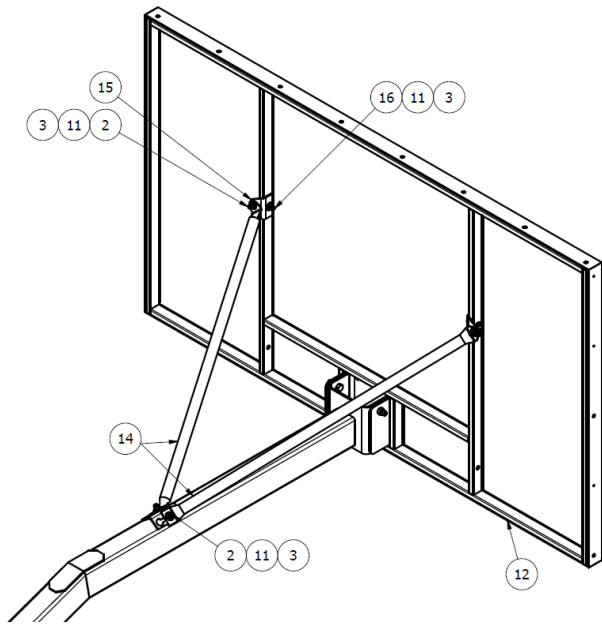
Verify all parts listed on packing list are present prior to installation.

The following parts have been packed separately

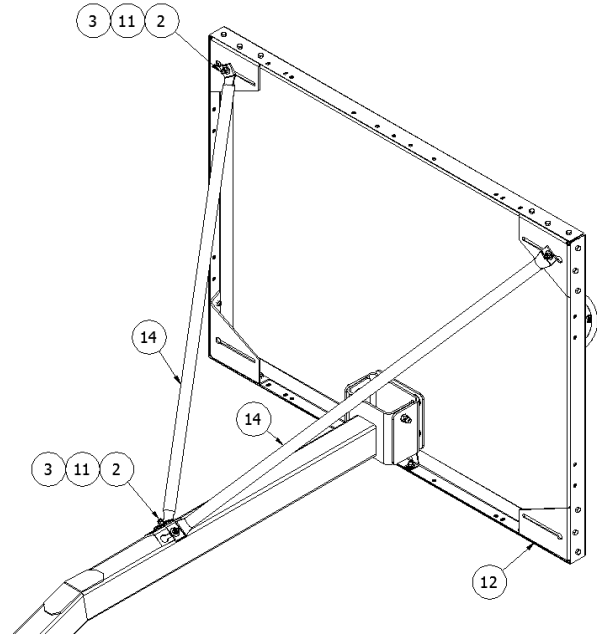
ITEM	PART NUMBER	DESCRIPTION	<div style="display: flex; justify-content: space-between; width: 100%;"> Hoopmaster R54 9154 Hoopmaster C72 9172 </div>	
			QTY	QTY
1	223-4-20-8	SCREW, MACH PAN HD PHIL 1/4-20 UNC X 0.5	40	40
2	501-6-16-16	BOLT, CARRIAGE 3/8-16 UNC X 1	4	4
3	545-6-16Z	HEX NUT, NYLON LOCK 3/8-16	4	6
4	551654957	SOCKET, 1-1/8, 1/2" DRIVE, 12 PT	1	1
5	551751114	MANUAL, INST/OPER HOOPMASTER JR/SR	1	1
6	556336062	CLIP - PAD ATTACHMENT 2"	16	16
7	556351102	CLIP - PAD ATTACHMENT 3"	4	4
8	556351120	HOOPMASTER R54/C72 ASSY,BASE,ARMS,BOOM	1	1
9	556351121	PAD SET, HOOPMASTER JR/SR PORTABLE	-	-
9.1	556351107	COVER, TOP VINYL	1	1
9.2	556356167	PAD, 2 1/2' FRONT UPPER	1	1
9.3	556356166	PAD, 2 1/2" FRONT LOWER	1	1
9.4	556356168	PAD, 2 1/2" SIDE LH	1	1
9.5	556356169	PAD, 2 1/2" SIDE RH	1	1
10	559054111	RATCHET WRENCH, 1/2" SQ DRIVE	1	1
11	561-6	FLAT WASHER 3/8	4	8
12	3050	RECTANGLE GLASS BOARD. 42" X 54" X 1/2"	1	-
	BB72G50	RECTANGLE GLASS BOARD 42" X 72" X 1/2"	-	1
13	2000	COLLEGIATE BREAKAWAY GOAL	1	1
14	556356162	BRACE TUBE, 3050 BOARD	2	-
	556356164	BRACE TUBE, BB72G50 BOARD	-	2
15	556356165	BRKT - BRACE ATTACHMENT	-	2
16	502-6-16-28	HEX BOLT 3/8-16 UNC X 1.75	-	2

Contact Gared Customer Service at 800-325-2682 for assistance with replacement of any parts missing or damaged.

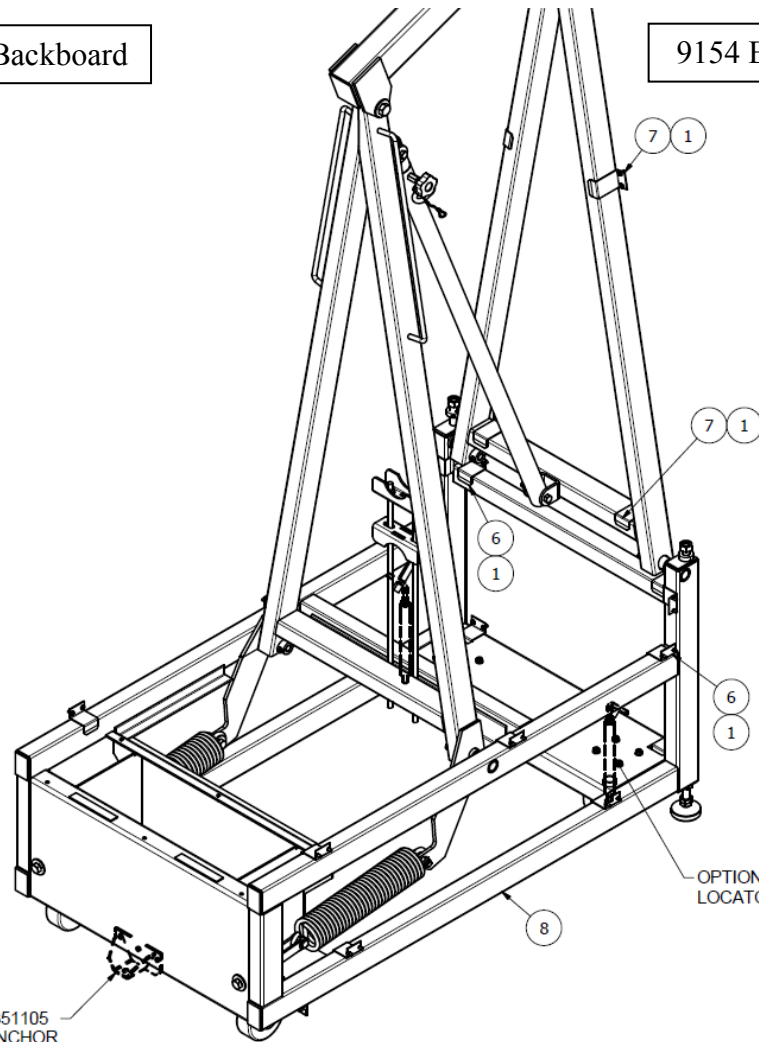




9172 Backboard



9154 Backboard



OPTIONAL 556351105
BRKT WELDMENT, REAR ANCHOR

OPTIONAL 556455329
LOCATOR PIN ASSEMBLY

Installation Instructions

Tools Required:

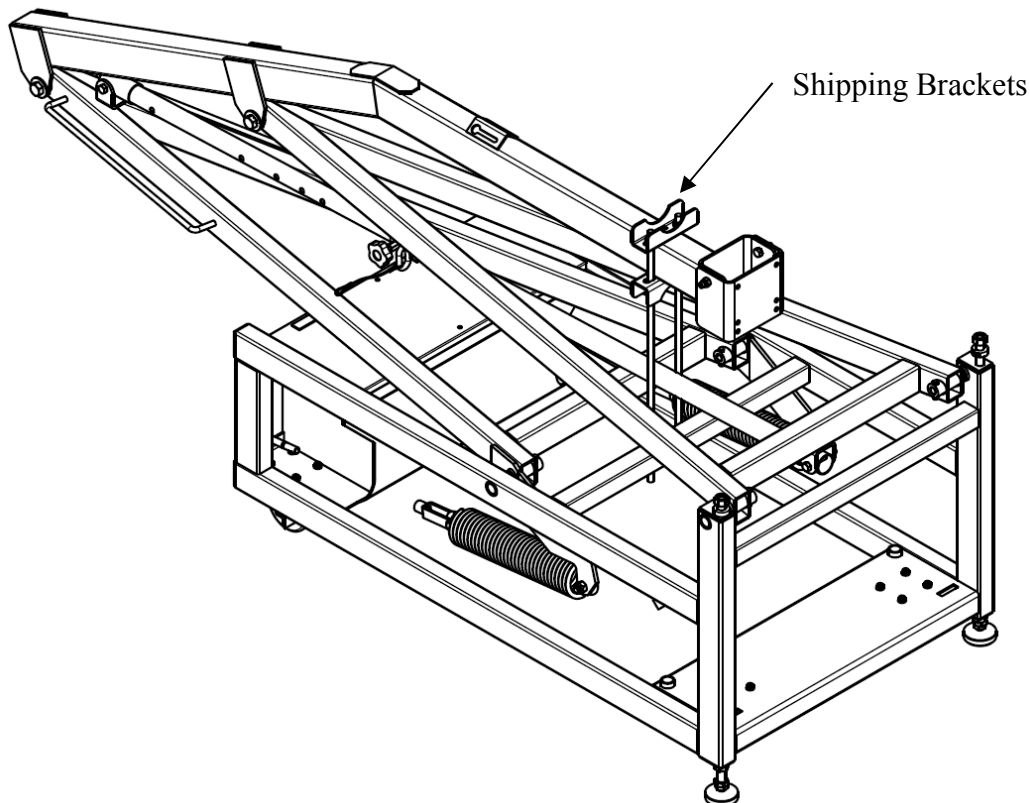
- Adjustable wrench with 1-1/8" capacity
- 1/2" wrench and socket
- 9/16" wrench and socket
- 3/4" wrench
- #2 Phillips screw driver
- Flat blade screw driver
- Allen wrench set
- Two plumb bobs with string
- Bubble type level
- Tape measure
- Masking tape
- Pencil

See Installation Instruction for the optional Floor Anchor Kit, Model 9155 for additional tools.

Item numbers noted throughout these instructions refer to the parts listed in the parts check list on page 6.

Unpack all parts and check for damage or missing items.

WARNING!
DO NOT REMOVE SHIPPING BRACKETS BEFORE INSTALLING BOARD AND GOAL. REMOVING BRACKETS WITHOUT BACKBOARD INSTALLED COULD RESULT IN SERIOUS PERSONAL INJURY AND/OR DAMAGE TO UNIT.



1. Using the ratchet and 1-1/8" socket supplied, lower the leveling pads to lift the front casters about 1/4" off the floor. Make sure the unit is raised evenly.

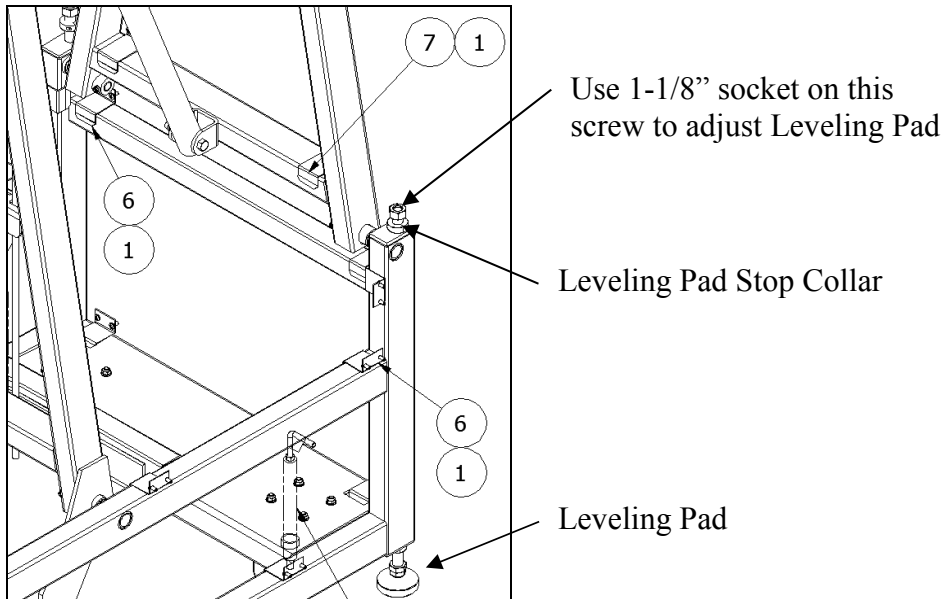


Figure 1

2. Remove Board Bracket from the main boom.
3. Using the hardware supplied with the goal and the goal instructions, insert the two 3/8" Carriage Bolts through the top goal mounting holes and two 3/8 Hex Bolts through the lower holes, attaching goal to Board and Board Bracket as shown in Fig. 2. Install lock washers and nuts. Snug, but do not tighten nuts at this time.

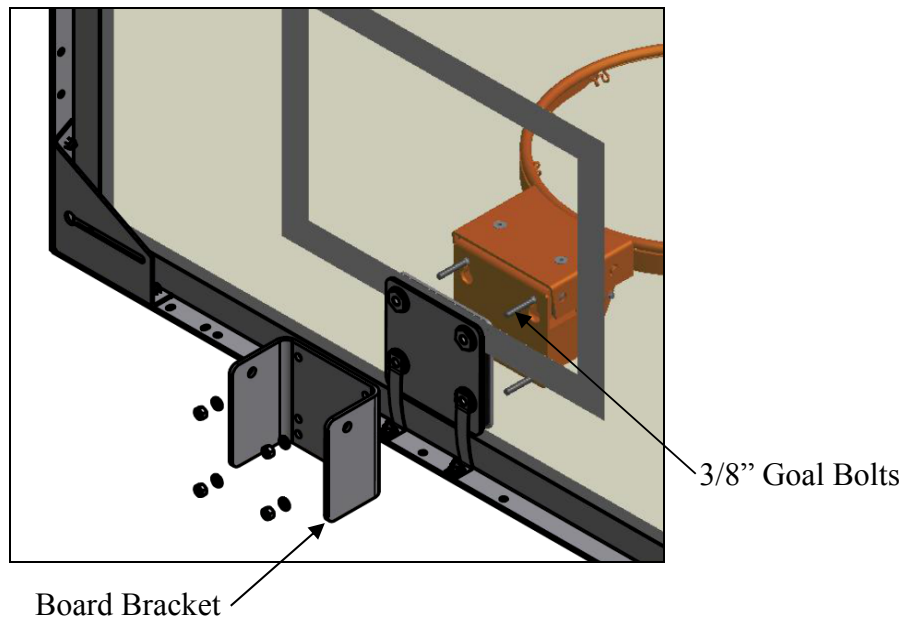


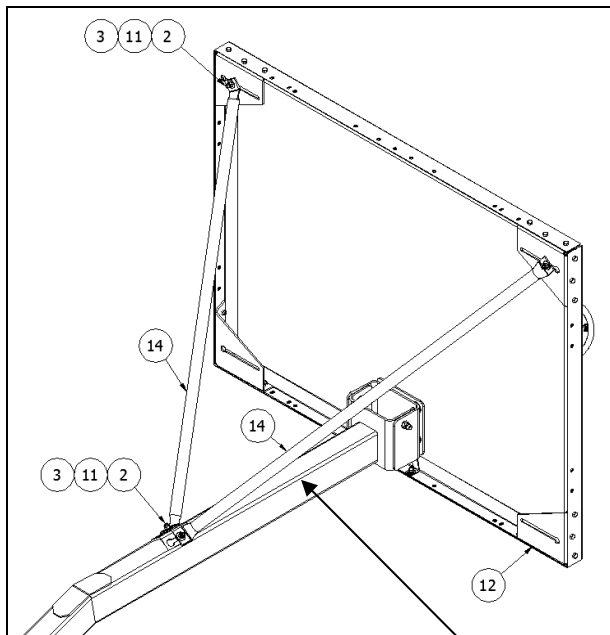
Figure 2

IMPORTANT NOTE:

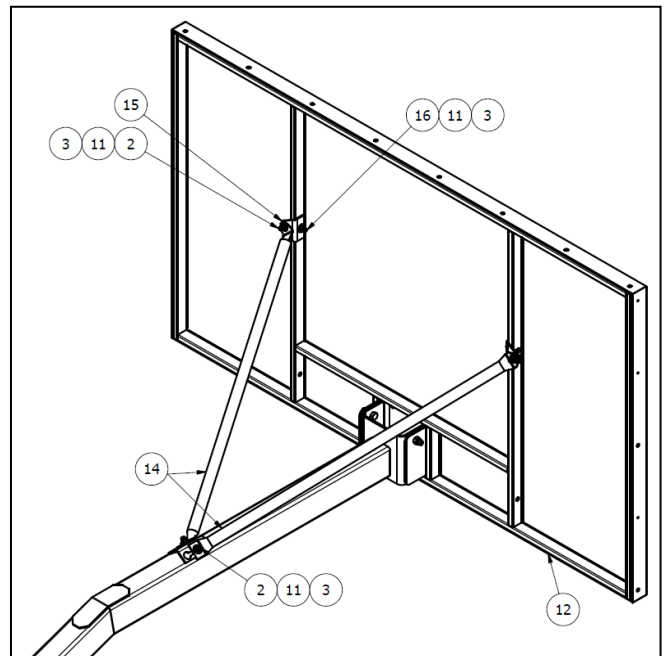
Before proceeding to the next step, make sure at least three individuals are available to assist with the mounting of the backboard to the unit. A minimum of two, preferably three, individuals is required for safe assembly of the backboard to the unit.

4. Lift the Board, assembled with the goal and brackets, into position and attach to the boom using the two ½” bolts and locknuts removed in step #2.

5. Installed the Board Braces, item #14, as shown using 3/8” x 1 Carriage Bolts and Locknuts. Note: On the 72” board, Brace Attachment Brackets, item #15, must be installed to the vertical board struts prior to brace assembly. Tighten Board mounting hardware and Brace hardware.

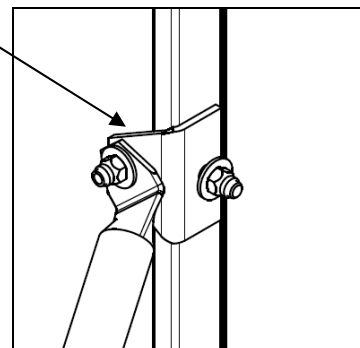


9154 Backboard
Figure 3
Main Boom



9172 Backboard
Figure 4

Item #15, Brace Bracket
9172 Backboard only



6. Be sure the latch pin is installed in the sliding latch bar, then remove the shipping brackets from the main boom and store the brackets and hardware in a location for future use when replacing backboard or goal.

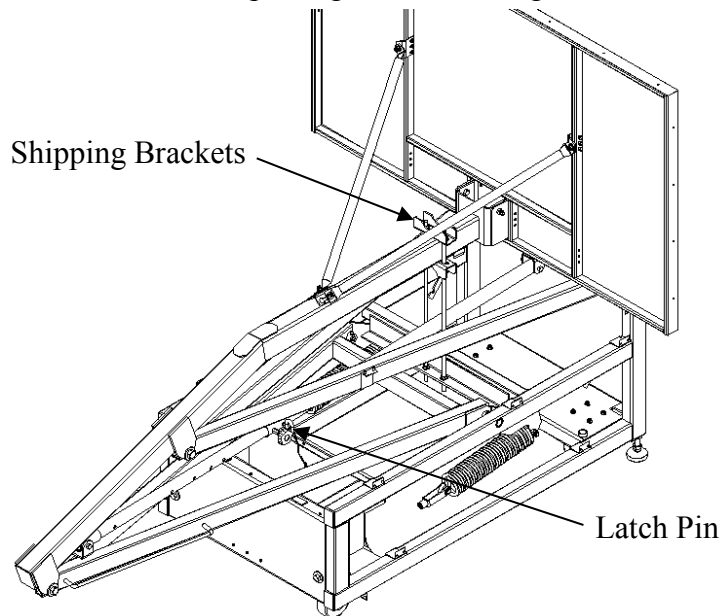


Figure 5

7. Using masking tape and pencil, Mark the location of the center of the court 4'-0" from the inside edge of the court baseline (refer to figure 6). From this center mark, establish marks to be used to align the face of bank to the court.
 - a. For Model 9154, 2'-3" to the left and another mark 2'-3" to the right.
 - b. For Model 9172, 3'-0" to the left and another mark 3'-0" to the right.

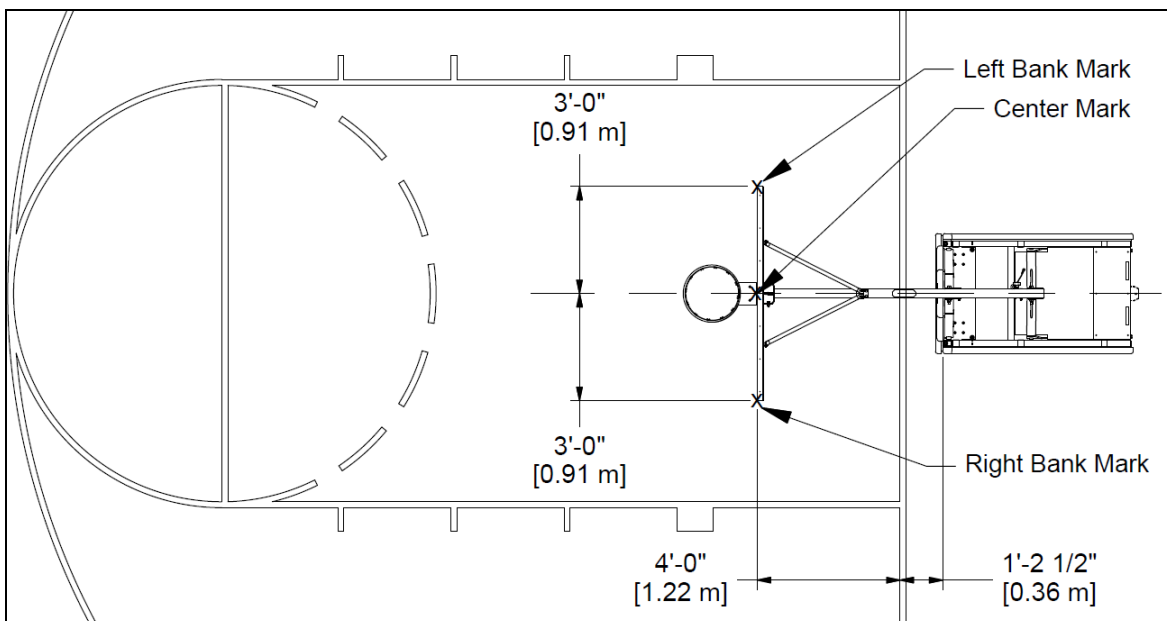


Figure 6 (Model 9172 dimensions shown)

8. Use the ratchet and 1-1/8" socket supplied to raise the leveling pads so that the front caster wheels rest firmly on the floor.
9. Push the unit to the playing location on the court. The unit should be centered on the centerline of the court as shown in figure 7. From the inside edge of the court baseline to the front of the frame cross tube should be about 1'-2 1/2".
10. Lower the leveling pads and raise the front caster wheels about 1/2" off the floor. Make sure the unit is raised evenly.
11. Remove the latch pin from the sliding latch bar, loosen the hand knob and raise the boom to the 10' -0" playing position. Insert the safety pin into the sliding latch bar at the center of the unit (figure 7).

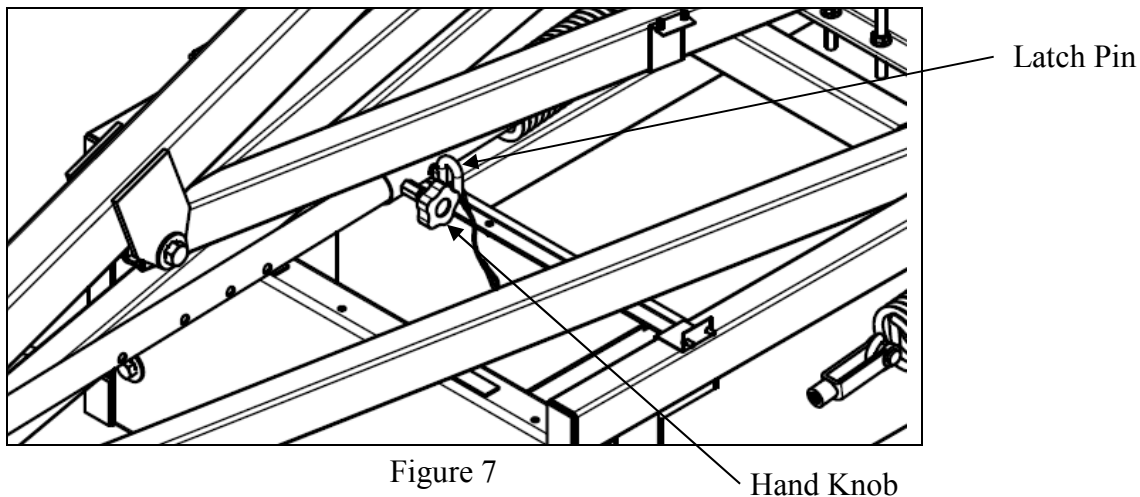


Figure 7

12. Check the 10'-0" goal height at the base of the goal. Adjust the leveling pads to obtain 10'-0" measurement, making sure each pad is raised or lowered evenly.
13. Thread the locking collar on the leveling screw down to contact the leveling screw plate and secure with the set screw. The locking collar is used to insure the leveling pads are always set at the correct height when the unit is moved or reinstalled.
14. To level the backboard in the horizontal plane, loosen the two goal 3/8" Carriage Bolts and the two 3/8 Hex Bolts at the bottom of the Board Mounting Bracket that attach the bracket to the backboard. See Figure 2. Level the backboard and tighten all four bolts securely.

Note:

Do not remove the goal bolts or the 3/8" board mounting bolts. It is only necessary to loosen these bolts. Once the board has been leveled, make sure these bolts are securely tightened.

15. To level the backboard in the vertical plane, loosen the two carriage bolts at the board brace clamp on top of the boom. Refer to Figure 9. Using a $\frac{3}{4}$ " wrench, adjust the leveling bolt in the board mounting bracket until the backboard is plumb. Tighten the locking nuts on the leveling bolt. Tighten the two carriage bolts at the brace clamp securely.

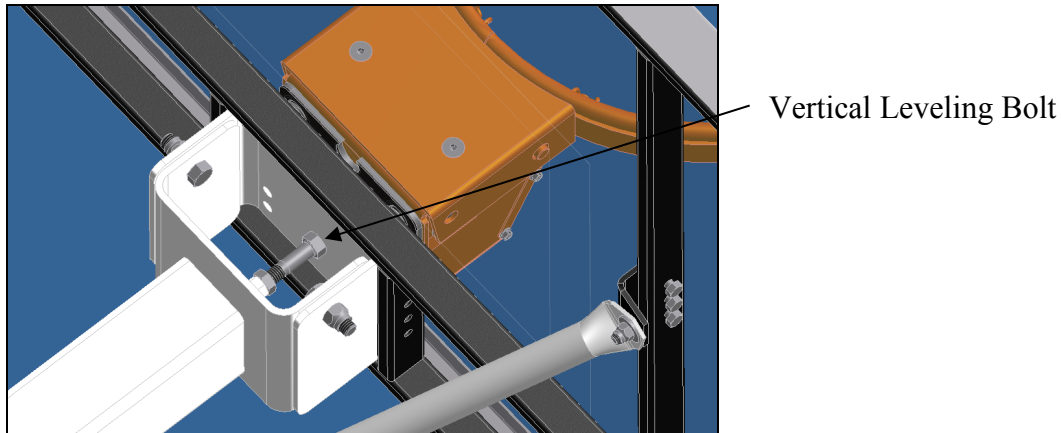


Figure 9

16. Attach plumb bobs to the front corners of the backboard. Plumb bobs should hang down from the corners to where they are almost touching the floor.
17. Check plumb bobs with marks that were located in step 8. If the plumb bobs do not line up exactly with the marks on the floor, adjust the location of the unit accordingly.
18. If Anchor Kit Package option, Model 9155, has been purchased with the unit, install it at this time following the installation instruction supplied.

19. Install Pad Clips to the wood side of Pad Assemblies using ¼-20 x ½” Pan Head Screws. All clips should be installed with the hook facing down or forward. See Figure 9. DO NOT OVER TIGHTEN BOLTS.

- Use (4) 3” Pad Clips, item #7, for the Upper Front Pad, item #9.3.
- Use (16) 2” Pad Clips, item #6, for all other Pad locations.
- The Vinyl Cover, item #9.1, installs without clips.

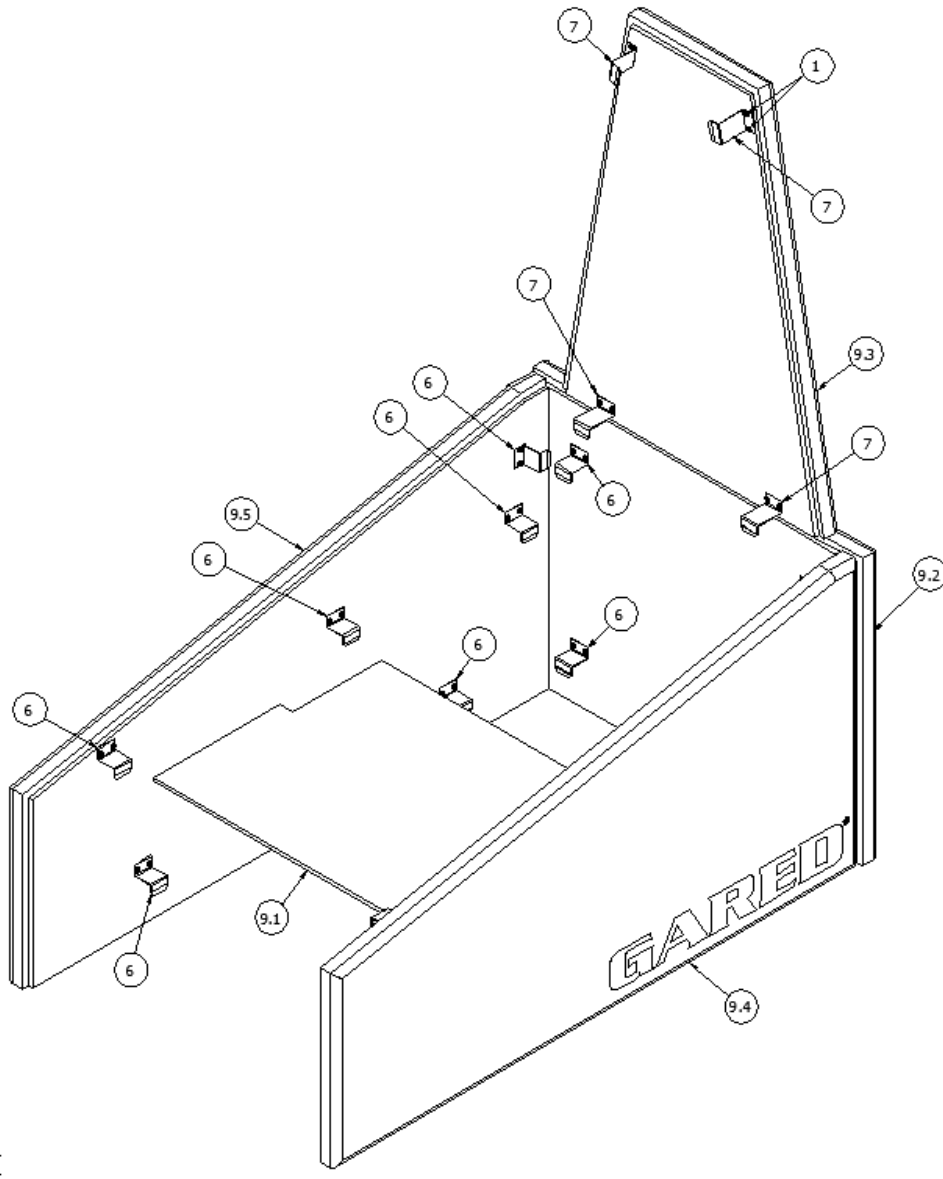


Figure 9

20. Install the pads by positioning the retainer clips above the frame rails and pushing the pad down until fully seated.



Operation

1. Before operating the unit, read all caution, warning, and information labels.

CAUTION!
KEEP PERSONNEL AWAY FROM THE FRONT AND REAR OF UNIT
WHILE RAISING OR LOWERING THE BACKBOARD.

CAUTION!
ALWAYS LOWER BACKBOARD TO THE FULL DOWN POSITION
BEFORE ATTEMPTING TO MOVE THE UNIT.

WARNING!
SAFTETY PIN MUST BE INSTALLED DURING USE AND REMOVED
PRIOR TO LOWERING UNIT.

2. To raise the unit from the stored position.
 - a. Make sure the unit is in the correct position on the court.
 - b. Lower the leveling pads using the 1-1/8" socket and ratchet until the bolt contacts the locking collar.
 - c. Remove the safety pin from the slide bar.
 - d. Using the handle on the left side of the rear upright, lift the upright to the desired goal height. The unit can be adjusted from 10'-0" to 8'-0" in intervals of 6".
 - e. Install the safety pin into the slide tube locking bar at the desired height.
3. To lower the unit from the playing position.
 - a. Remove the safety pin from the slide tube locking bar.
 - b. Using the handle on the left side of the rear upright, pull the upright back and rotate it to the full down position.
 - c. Install the safety pin into the slide tube locking bar.
4. If the unit is to be moved to storage, lower the leveling pads until the unit is fully on all four casters and the leveling pad are high enough to clear undulations in the transport path (ramps, thresholds, etc.).
5. Roll the unit to the storage facility.



Hoopmaster R54/C72 Portable Backstop



Maintenance

1. A general inspection should be made each time equipment is used to check for catastrophic failures that may have occurred during the last use.
2. Yearly inspections should be conducted to determine if any bolts or other hardware has become worn or loosened. During yearly inspections,
 - a. Check all joints to make sure they are tight and secure.
 - b. Check all spring adjustment bolts to make sure they are tight and have not moved.
 - c. Check the board and goal mounting bolts to make sure they are tight.
 - d. Check the net for wear.
 - e. Check to see that all safety decals are in place and readable.
 - f. Apply a small amount of grease to the threads of the leveling pad screws.
 - g. Any loose bolts or nuts should be tightened.
 - h. Check pads for rips or tears. Replace as necessary.
 - i. Replace any components that are missing or worn.
 - j. Lubricate casters wheel bearings and swivel bearing.
3. If the backboard or goal requires replacement, be sure to install the shipping brace before removing.
4. If spring adjustment or replacement is required, consult a factory authorized personnel.

WARNING!

DO NOT REMOVE BACKBOARD BEFORE INSTALLING SHIPPING BRACE ON MAIN BOOM. REMOVING BACKBOARD WITHOUT BRACE INSTALLED COULD RESULT IN SERIOUS PERSONAL INJURY AND/OR DAMAGE TO UNITS.

WARNING!

SPRINGS ARE PRESET AT THE FACTORY. ADDITIONAL ADJUSTMENTS MUST BE DONE BY AUTHORIZED FACTORY PERSONNEL.



Gared Holdings, LLC

**Performance Sports Systems
9200 E. 146th Street
Noblesville, IN 46060**

**800-848-8034
www.perfsports.com**

**Gared Sports
707 North 2nd Street
St. Louis, MO 63102**

**800-325-2682
www.garedsports.com**