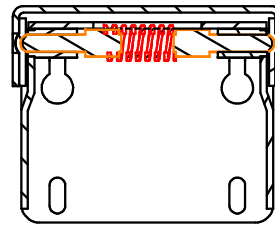
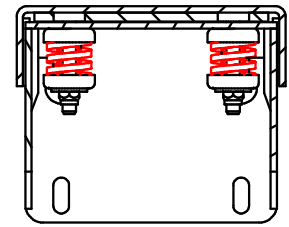


POSITIVE LOCK DETENT MECHANISM



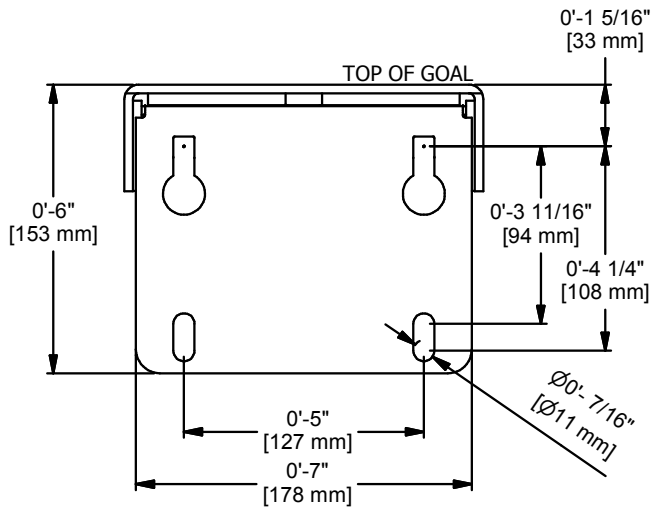
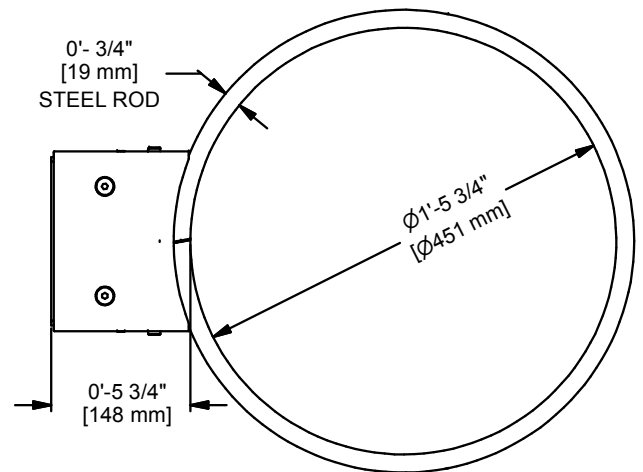
DUAL RETURN SPRINGS



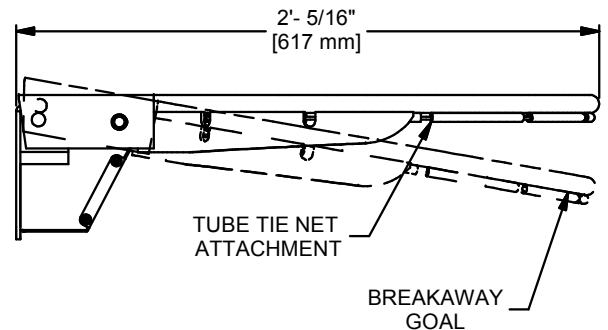
FINISH IS OFFICIAL ORANGE POWDER COAT

GOAL IS SUPPLIED WITH ANTI-WHIP NYLON NET AND MOUNTING HARDWARE

SHIPPING WEIGHT 25 LBS [11.3 Kg]



MOUNTING PLATE VIEW



THIS DOCUMENT CONTAINS TRADE SECRET AND OTHER MATERIALS WHICH ARE PROTECTED BY CONFIDENTIALITY NOTICE AND AGREEMENT AND BY COPYRIGHT. ANY USE OR COPYING OF THIS DOCUMENT EXCEPT AS AUTHORIZED BY GARED HOLDINGS, LLC IS STRICTLY PROHIBITED.

INT'L TOURNAMENT GOAL, BREAKAWAY

DRAWN CROSBY DATE 8/12/2019 DATE ISSUED

APPROVED DATE

FILE LOC. Q:\Inventor Files\Specification Files\08\_Goals

SIZE <b>A</b>	SCALE NONE	SHT. NO. 1 OF 2	PART NO. <b>2500I</b>	REV <b>D</b>
------------------	---------------	--------------------	--------------------------	-----------------



Gared Holdings, LLC  
9200 E. 146th St. Noblesville, IN 46060

D	WDC	08-12-19
REV	BY	DATE



## MODEL 2500-I

### **INTERNATIONAL TOURNAMENT BREAK-AWAY GOAL**

The 2500-I goal shall be constructed with an enclosed positive lock mechanism. Goal shall be designed so that any possible entrapment areas have been eliminated. Goal shall have official FIBA size 17.75" ring of 3/4" diameter steel with tube tie net attachment and a durable orange powder coated finish. Anti-whip net and hardware shall be included. Universal back plate shall accommodate most 42" and 48" rectangular and fan shape backboards.

#### **ACCESSORIES**

#### **BACKBOARDS**

See Goal-Board Matrix specification sheet for board compatibility.

Subject to design change and current manufacturing practices.