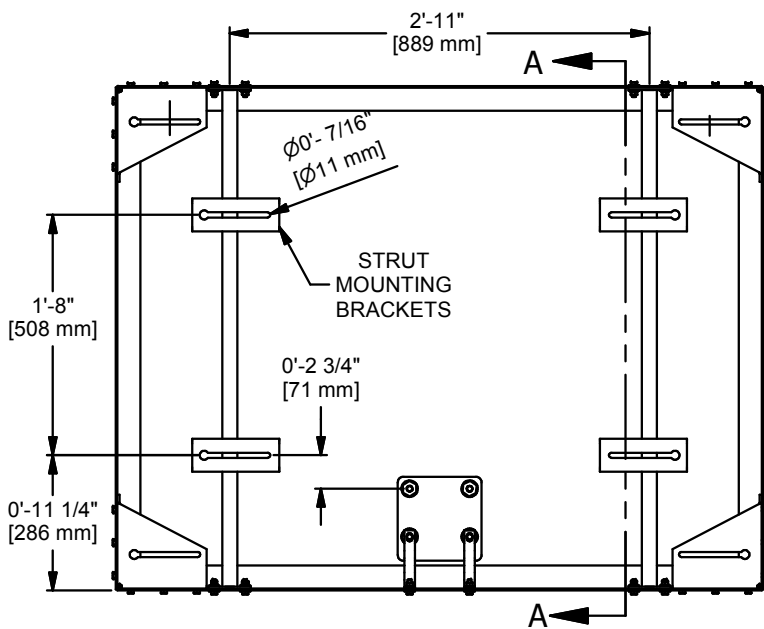
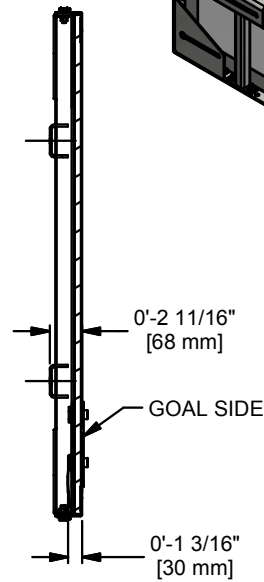
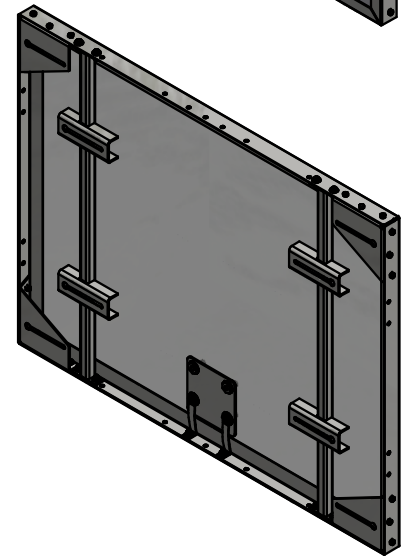
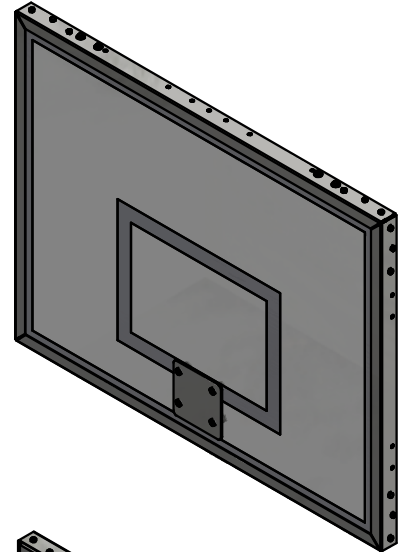


FRONT VIEW



REAR VIEW



SECTION A-A

MATERIAL IS 1/2" THICK TEMPERED GLASS WITH STEEL FRAME AND STEEL STRUT MOUNT BRACKETS.

FINISH IS GRAY POWDER COAT ON FRAME, BRACKETS AND PLATES.

D	WDC	07-29-19
REV	BY	DATE



Gared Holdings, LLC  
9200 E. 146th St. Noblesville, IN 46060

THIS DOCUMENT CONTAINS TRADE SECRET AND OTHER MATERIALS WHICH ARE PROTECTED BY CONFIDENTIALITY NOTICE AND AGREEMENT AND BY COPYRIGHT. ANY USE OR COPYING OF THIS DOCUMENT EXCEPT AS AUTHORIZED BY GARED HOLDINGS, LLC IS STRICTLY PROHIBITED.

42" X 54" RECT GLASS BOARD, W/ STRUT MOUNT

DRAWN	CROSBY	DATE	7/29/2019	DATE ISSUED
APPROVED		DATE		
FILE LOC. Q:\Inventor Files\Specification Files\07_Backboards				
SIZE	SCALE	SHT. NO.	PART NO.	REV
A		1 OF 2	3050RG	D



## **MODEL 3050RG**

### **STEEL FRAME 54" X 42" RECTANGULAR GLASS BACKBOARD WITH STRUT MOUNT**

The 3050RG backboard shall be fabricated with heavy steel frame constructed of formed steel angles and fastened together with heavy gauge steel mounting plates to reinforce corners. Entire frame and components shall be powder coated with a durable neutral gray finish. Acrylic cushioning tape shall be used between steel mounting plate and glass to protect board against possible breakage.

Strut mounting brackets shall be positioned at 20" vertical and 35" horizontal centers for mounting backboard with standard fan-shaped mounting dimensions.

Glass shall be ½" in thickness and is fully tempered with the white target lines permanently fused onto the surface. 12mm glass will not be considered equal to ½" glass, with a nominal thickness range of .485" to .515", and will not be used as a substitute for full ½" glass. Vinyl shock absorbing material shall insulate the glass from the frame. Goal mounting holes shall be on standard 5" horizontal and 4" vertical centers.

#### **ACCESSORIES**

#### **GOALS**

See Goal-Board Matrix specification sheet for goal compatibility.